



POWER BRIGHT

YOUR LEADER IN POWER SOLUTIONS

STEP UP & DOWN VOLTAGE TRANSFORMER



For Models:
VC1000W
VC1500W
VC2000W
VC3000W

CE ISO9001
CERTIFIED

Instructional Manual

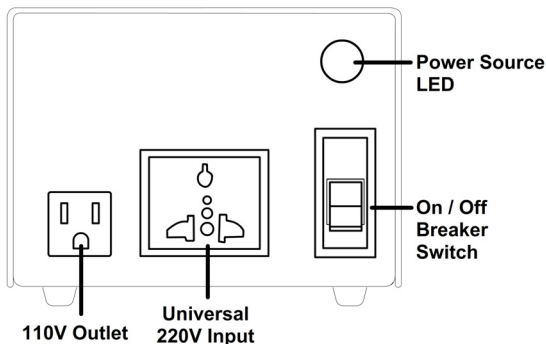
Please read the instruction carefully before operating this transformer.

WARNING: Incorrect input voltage in the back of the transformer may cause permanent damage to your converter and equipments.

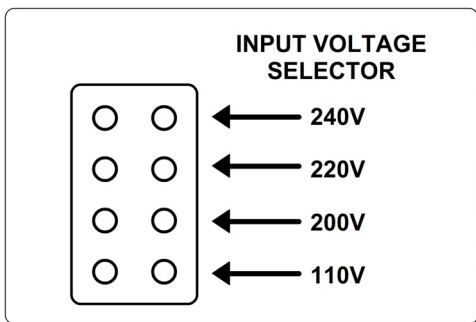
1. Instruction

Familiarize yourself with the features and functions of the transformer by studying the two diagrams below:

Front of the converter



Rear of the converter



Select the correct input voltage according to the country's voltage before plugging into wall outlet.

Note: When using multiple items please make sure that the combined total wattage does not exceed the capacity of the transformer.

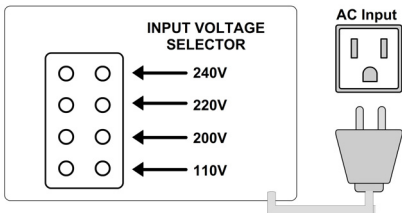
2. Connect the electrical appliances to the transformer

Check the wattage requirement of your equipment and make sure it does not exceed the transformer's maximum capacity. Then check the voltage your equipment operates on. Select the correct input voltage according to the country's voltage before plugging into wall outlet. When selecting input 200V-220V-240V, use the 110V outlet ONLY in the front to step down the voltage. When selecting 110V use the 220V outlet ONLY in the front to step up the voltage.

Make sure all the appliances and the transformer are switched "OFF"

3. Connect the transformer to the outlet

Switch the input selection switch in the back of the transformer to your wall outlet's voltage. For example, select 110V when using in the U.S. and select 220V when using in Europe. If Plug adapter is needed for the country you are in, connect to the cord of the transformer first. Plug in the transformer's cord to the outlet.



4. Switch "ON" the transformer

Press the ON/OFF switch in the front of the transformer to "ON" position and LED light will illuminate. Now, switch on your appliances one at a time if connecting multiple items.

CAUTION: Avoid overloading

Do not overload the transformer more than its maximum capacity. Some appliances surge when they are initially turned on thus requiring more than the stated wattage. Such appliances included are TV, Printers and other products with built-in motor. In these cases use at least twice the size of the transformer than required wattage. When using multiple appliances with a single transformer please make that the combined

required wattage of the appliances is less than the transformer's capacity. Do not use the transformer if the power cord is damaged or torn. Damaged power cord must be replaced by authorized dealers or a qualified electrician.

Storage

- Store in a well ventilated area
- Do not expose to direct sunlight or heat sources
- Keep out of reach of children
- Keep away from water, moisture, grease or oil
- Keep away from any flammable substance

Circuit Breaker

If the circuit breaker opens the circuit while the transformer and the connected appliances are "ON" then the transformer was overloaded. Switch "OFF" the transformer and your appliances and disconnect the transformer from the outlet. Press the circuit breaker button in the back of the transformer. Wait few minutes and then connect the transformer to the outlet and switch on the power. Now, make sure that the wattage of the connected appliances does not exceed the transformer's capacity. Switch them "ON" one at a time if multiple items are connected to the transformer.

Model:	VC1000W	VC1500W	VC2000W	VC3000W
Max. Output Power:	1000W	1500W	2000W	3000W
Protection Type:	Circuit Breaker	Circuit Breaker	Circuit Breaker	Circuit Breaker
Fuse Rating:	10A	15A	20A	30A

Remarks: This model is single phase.
