



**POWER BRIGHT**  
YOUR LEADER IN POWER SOLUTIONS

# STEP UP & DOWN VOLTAGE TRANSFORMER

---



For Models:

VC100W

VC200W

VC300W

VC500W

VC750W

**CE** **ISO9001**  
CERTIFIED

---

## Instructional Manual

Please read the instruction carefully before operating this transformer.

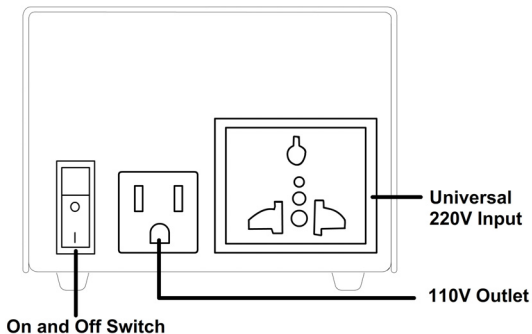
---

**WARNING:** Incorrect input voltage in the back of the transformer may cause permanent damage to your converter and equipments.

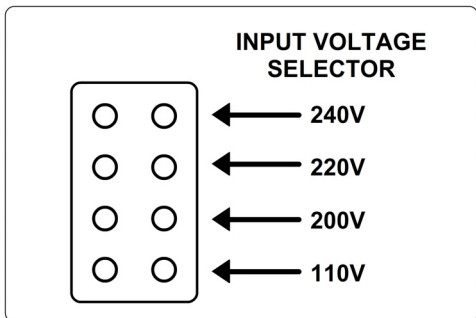
## 1. Instruction

Familiarize yourself with the features and functions of the transformer by studying the two diagrams below:

*Front of the converter*



*Rear of the converter*



Select the correct input voltage according to the country's voltage before plugging into wall outlet.

*Note: When using multiple items please make sure that the combined total wattage does not exceed the capacity of the transformer.*

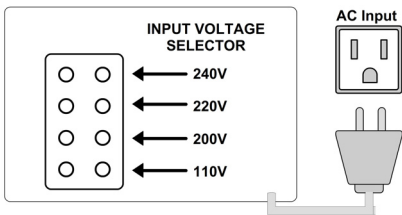
## 2. Connect the electrical appliances to the transformer

Check the wattage requirement of your equipment and make sure it does not exceed the transformer's maximum capacity. Then check the voltage your equipment operates on. Select the correct input voltage according to the country's voltage before plugging into wall outlet. When selecting input 200V-220V-240V, use the 110V outlet ONLY in the front to step down the voltage. When selecting 110V use the 220V outlet ONLY in the front to step up the voltage.

Make sure all the appliances and the transformer are switched "OFF".

## 3. Connect the transformer to the outlet

Switch the input selection switch in the back of the transformer to your wall outlet's voltage. For example, select 110V when using in the U.S. and select 220V when using in Europe. If plug adapter is needed for the country you are in, connect to the cord of the transformer first. Plug in the transformer's cord to the outlet.



## 4. Switch "ON" the transformer

Press the ON/OFF switch in the front of the transformer to "ON" position and LED light will illuminate. Now, switch on your appliances one at a time if connecting multiple items.

### **CAUTION: Avoid overloading**

Do not overload the transformer more than its maximum capacity. Some appliances surge when they are initially turned on thus requiring more than the stated wattage. Such appliances included are TV, Printers and other products with built-in motor. In these cases use at least twice the size of the transformer than required wattage. When using multiple appliances with a single transformer please make that the combined

required wattage of the appliances is less than the transformer's capacity. Do not use the transformer if the power cord is damaged or torn. Damaged power cord must be replaced by authorized dealers or a qualified electrician.

### Storage

- Store in a well ventilated area
- Do not expose to direct sunlight or heat sources
- Keep out of reach of children
- Keep away from water, moisture, grease or oil
- Keep away from any flammable substance

### Fuse

If the fuse burns while the transformer is on and the connected appliances are "ON", you have exceed the maximum allowable current for this transformer. You will need to reduce the amount of power being consumed at a time or consider using a larger transformer for the given application. Turn off the unit and unplug from wall outlet. Replace the fuse with same amperage as one specified and transformer should be functional.

<b>Model:</b>	VC100W	VC200W	VC300W	VC500W	VC750W
<b>Max. Output Power:</b>	100W	200W	300W	500W	750W
<b>Protection Type:</b>	Fuse	Fuse	Fuse	Fuse	Fuse
<b>FuseRating</b>	1A	2A	3A	5A	8A

*Remarks: This model is single phase.*

---